

Specification

Model	TR-D8121IR2W
Image sensor	1/2.7" CMOS 2.1Mn
Resolution	FullHD (1920x1080)
Frame rate	FullHD@25fps
Day/Night Mode	Mechanical ICR
Sensitivity	0.005Lux (F1.8) / 0Lux (IR on)
IR range	up to 20 m
Lens (mm)	2.8 / 3.6
WDR	RealWDR (96db)
Video compression	H.264
Bitrate	8Mbps
Local storage	MicroSD up to 128Gb
Audio	Built-in microphone
Power supply	12V DC
Power consumption	3 W
Dimensions (mm)	ø94 x 80
Net weight (g)	350
Working temperature	-10°C ... +50°C

Camera Package

IP camera	1 pc
User manual	1 pc
Mounting kit	1 pc

Technical support

www: helpdesk.trassir.com
mail: helpdesk@trassir.com

TR-D8121IR2W

2MP Eyeball wireless camera



Data _____ Stamp _____

Here is the confirmation form for warranty assurance

Note: read user manual before using
Website: www.trassir.com
For any inquiry: info@trassir.com

Introduction

Congratulations with purchasing IP camera TR-D8121R2W. Please read User Manual before using a camera.

Key features

- Wide Dynamic Range (Real WDR 96dB)
- Automatic Day/Night Mode
- Digital Noise Reduction (3D-DNR)
- Mechanical IR cut filter
- Built-in video archive (Edge Storage) – local recording on MicroSD card* up to 128GB
- Built-in microphone
- Both Wi-Fi and Ethernet video transmission

* MicroSD card is not included into camera package

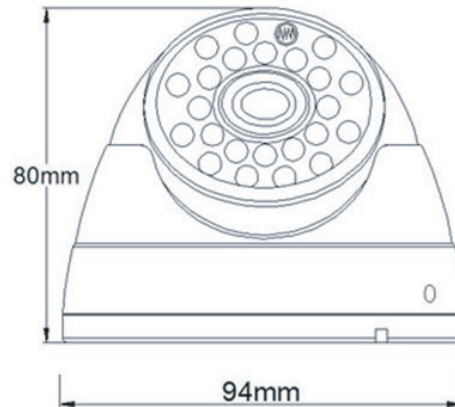
How to connect your camera to TRASSIR Cloud

1. Plug in power adaptor from a package. Camera will turn on in a minute.
2. Create your user account at cloud.trassir.com.
3. Download TRASSIR app for your smartphone from Google Play or AppStore.
4. Launch TRASSIR app and sign in using your account created earlier.
5. Set WiFi on your IP-camera:
Add device > Add device into Cloud > Trassir > Setting Wi-Fi in IP camera.
6. Add IP camera by reading QR-code from a sticker or enter MAC address manually.

IPcamera is ready to work.

Dimensions

Размеры



Notes:

Power supply should meet the requirements: output voltage, current, polarities and working temperature. Pay attention that you have lightning conductor while using IP camera during a storm or plug off power connector.

Pay attention to temperature requirements of IP-camera. Avoid of using IP camera in high or low temperatures.

Don't install your IP camera near heaters.

Don't direct camera lens to the sun or bright object. It could harm your image sensor.

Manual setting of network parameters.

Setting of Wi-Fi in camera:

Set up Wi-Fi on your IP camera using TRASSIR app or via web interface connecting to a camera through Ethernet before.

Connection via Ethernet

IP camera and PC should be in one local network to connect to each other. In this case IP address of a camera, PC or any other devices shouldn't match each other.

IP camera has the following default settings:

- IP address: 192.168.1.188
- Subnet mask: 255.255.0.0
- Gateway: 192.168.1.1
- HTTP-port: 80
- username: admin
- password: admin

Example of network settings for PC to connect to IP camera:

- IP address: 192.168.1.10;
- Subnet mask: 255.255.0.0.

There are 3 options to set up your camera:

1. Change IP address of a camera manually.
Start your browser, connect to IP camera and enter your username and password. Choose appropriate menu item and change network settings of IP camera.
2. Set IP address of a camera using fast configuration utility which could be downloaded from www.trassir.com.
3. Change IP camera settings using TRASSIR professional software.

Find detailed instruction on camera settings in user manual which could be downloaded from our website www.trassir.com.