

Specification

Model	TR-D8152ZIR2
Image sensor	1/2.8" CMOS 5Mn
Resolution	5MP(2592x1944) 4MP(2592x1520) 3MP(2304x1296)
Frame rate	5MP@15fps 4MP@20fps 3MP@25fps
Electronic Shutter Speed	1/2 ~ 1/1 000 c
Day/Night Mode	Mechanical ICR
Sensitivity	0.003Lux (F1.8)
IR range	up to 25 m
Lens (mm)	2.8 - 8 (motorized)
Field of view (horiz./vert.)	83°-49°±5° / 61°-37°±5°
WDR	Real WDR (120dB)
Digital noise reduction	3D DNR
Video compression	H.265 / H.264
Bitrate	up to 8Mbps
Local storage	MicroSD up to 128Gb
Audio	Built-in microphone
Corridor mode	Yes
IVS	Human Detection Line Crossing Intrusion Detection
RTC	No
Power supply	PoE (802.3af) / 12V DC
Class PoE	3
Power consumption	DC: 5W PoE: 5.8W
Case material	Metall
Dimensions (mm)	Ø92.8 x 92.2
Weight Net/Gross (g)	380 / 480
Ingress protection	IP66, IK10
Lighting protection	TVS 4000V
Working temperature	-40°C ... +60°C

Technical support

www: helpdesk.trassir.com
mail: helpdesk@trassir.com

TR-D8152ZIR2

Outdoor IR Network Camera



Data _____ Stamp _____

Here is the confirmation form for warranty assurance

Note: read user manual before using
Website: www.trassir.com
For any inquiry: info@trassir.com

Introduction

Congratulations with purchasing of IP camera TR-D8152ZIR2.
Please read User Manual before using a camera.

Key features

- Support codec H.265
- Wide Dynamic Range (Real WDR 120dB)
- IR range up to 25 m
- Onboard video archive (Edge Storage) – local recording on MicroSD card* up to 128GB
- Built-in microphone
- Protocol: TCP/IP, HTTP, FTP, DHCP, DNS, DDNS, RTP, RTSP, RTCP, UPnP, SMTP, NTP
- Power supply 12V DC or PoE
- Lightning protection: TVS 4000V**

* MicroSD Card is not included into camera package
** Device must be grounded

Camera Package

- 1. IP camera 1 pc.
- 2. User manual 1 pc.
- 3. Mounting kit 1 pc.

Attention!

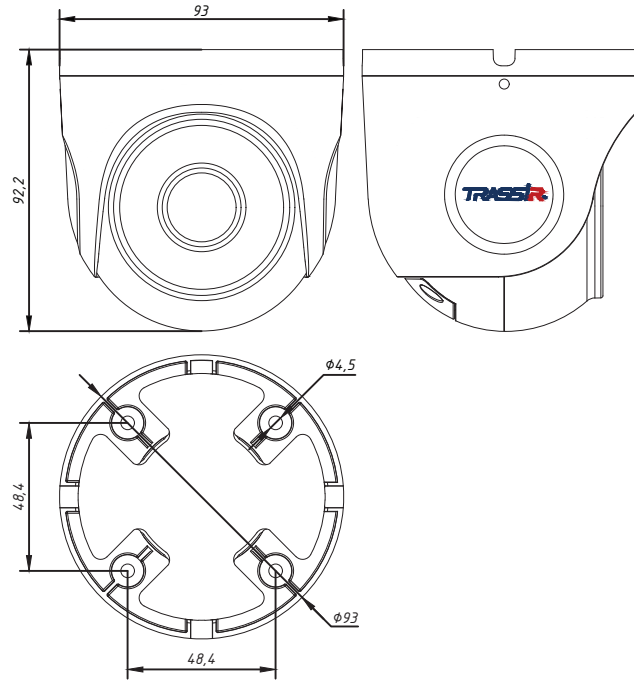
Power supply should meet the requirements: output voltage, current, polarities and working temperature. Pay attention that you have lightning conductor while using IP camera during a storm or plug off power connector.
Pay attention to temperature requirements of IP-camera. Avoid of using IP camera in high or low temperatures. Don't install your IP camera near heaters.
Don't direct camera lens to the sun or bright object. It could harm your image sensor.

Connecting

To get started with IP camera you are required to have a PC connected to the local network with Windows installed and Internet Explorer version 8 or higher.

1. Connect IP camera to the network.
2. When the camera is connected through a switch which doesn't support PoE, connect adapter to power jack.

Dimensions



Manual setting of network parameters.

IP-camera and PC should be in one local network to connect to each other. In this case IP address of a camera, PC or any other devices shouldn't match each other.

IP camera has the following default settings:

- IP address: 192.168.1.188
- Subnet mask: 255.255.0.0
- Gateway: 192.168.1.1
- HTTP-port: 80
- username: admin
- password: admin

Example of network settings for PC to connect to IP camera:

- IP address: 192.168.1.10;
- Subnet mask: 255.255.0.0.

There are 3 options to set up your camera:

1. Change IP address of a camera manually.
Start your browser, connect to IP camera and enter your username and password. Choose appropriate menu item and change network settings of IP camera.
2. Set IP address of a camera using fast configuration utility which could be downloaded from www.trassir.com.
3. Change IP camera settings using TRASSIR professional software.

Find detailed instruction on camera settings in user manual which could be downloaded from our website www.trassir.com.