

## Specification

Model	TR-D6254IR15
Image sensor	1/2.8" CMOS 5MP
Resolution	5MP(2880x1620)
Frame rate	50Hz: 5MP@25fps 60Hz: 5MP@30fps
Electronic shutter speed	1/1 ~ 1/100 000 s
"Day/Night" mode	Mechanical ICR
Sensitivity	0.001Lux (F1.6)
IR range	up to 150 m
Lens (mm)	5-115 mm, F1.6-F3.6
Field of view (horiz./vert.)	58° - 3.0° / 39.7° - 2.2°
Optical zoom	x23
Digital zoom	x16
Pan/Tilt Range	Pan: 0° ~ 360°(infinite) Tilt: 16° ~ 90°
Manual Control Speed	Pan: 0.1°/s ~ 80°/s Tilt: 0.1°/s ~ 80°/s
Preset Speed	Pan: 80°/s Tilt: 80°/s
Auto focus	Yes
WDR	Real WDR (140 dB)
Digital noise reduction	2DNR / 3DNR
Video compression	H+265 / H.265 / H.264 / MJPEG
Bitrate	up to 16Mbps
Local storage	MicroSD до 512Gb
Audio	Two-way audio channel
ROI	Yes (up to 7 zones)
IVS	Yes
RTC	Yes
Alarm IN/OUT	1 / 1
Power supply	PoE+ (802.3at) / 12V DC
PoE Class	4
Power consumption	PoE: 19.4W (IR on) DC: 19.4W (IR on)
Case material	Aluminium
Dimensions (mm)	Ø161 x 276
Weight Net/Gross (g)	2200 / 3900
Protection	IP66
Power surge suppressor	TVS 6000V
Working temperature	-30°C ... +65°C (IR on) -30°C ... +40°C (IR on)

## Technical support

www: helpdesk.trassir.com

mail: helpdesk@trassir.com

## TR-D6254IR15

5MP IR outdoor high-speed PTZ camera



Data \_\_\_\_\_ Stamp \_\_\_\_\_

Here is the confirmation form for warranty assurance

Note: read user manual before using

Website: [www.trassir.com](http://www.trassir.com)

For any inquiry: [info@trassir.com](mailto:info@trassir.com)

## Introduction

Congratulations on purchasing TR-D6254IR15 IP-camera.  
Please read User Manual before using the camera.

## Key features

- Wide dynamic range (Real WDR 140dB)
- IR range up to 150 meters
- Built-in video archive (Edge Storage) – local recording on MicroSD card\* up to 512GB\*
- IVS: Human detection; Line crossing; Intrusion detection / Abandoned / Missing objects detection; Motor vehicle / Non-motor vehicle detection
- Two-way audio channel (1 in / 1 out)
- Alarm IN/OUT (1/1)
- HTTP, HTTPS, TCP, UDP, UPnP, SNMP, DHCP, DNS, DDNS, Easy, DDNS, NTP, SMTP, SSL, 802.1X, QoS, IPv4, IPv6, PPPOE, SSH, Unicast, Multicast, RTMP, RTP, RTSP, NFS, SMB, CIFS, FTP, ONVIF protocols
- IP66 weather-tight case
- Power supply 12V DC or PoE+

\* MicroSD card is not included into camera package

## Camera package

1. IP camera ..... 1 pc.
2. User Manual ..... 1 pc.
3. Wall mount bracket ..... 1 pc.
4. Waterproof connector kit ..... 1 pc.
5. Power supply unit ..... 1 pc.

### Attention!

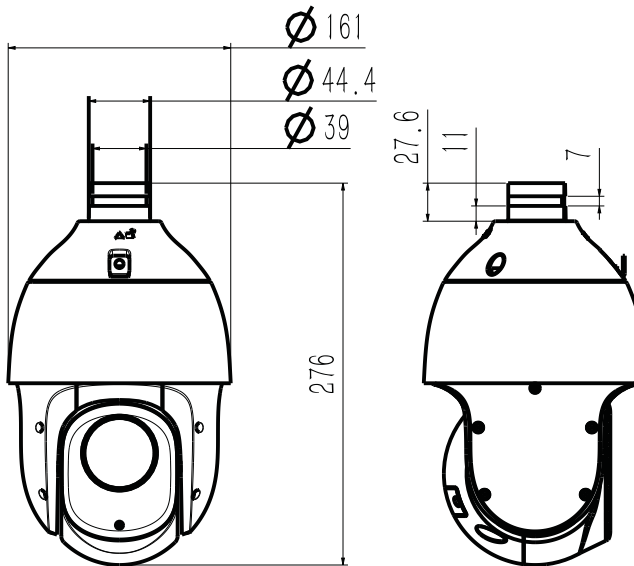
The power supply should meet the following requirements: output voltage, current, polarity, and working temperature. When using the camera in thunderstorm conditions, make sure there is a lightning rod or unplug the power connector.  
Pay attention to the temperature requirements for IP camera operation. Avoid using the device in excessively high or low temperatures. Do not install the camera near heaters. Do not point the camera lens at the sun or at bright objects as this can damage the image sensor.

## Connecting

To get started with IP camera you are required to have a PC connected to the local network with Windows installed and Internet Explorer version 8 or higher.

1. Connect IP camera to the network.
2. When the camera is connected through a switch which doesn't support PoE, connect the adapter to the power jack.

## Dimensions



## Manual setting of network parameters

In order to connect to the IP camera, the PC should be in the same local network as the camera. The IP address of the camera, the PC and any other device on the network should not match.

The IP camera has the following default settings:

- IP address: 192.168.1.188
- Subnet mask: 255.255.0.0
- Gateway: 192.168.1.1
- HTTP-port: 80
- username: admin
- password: admin

PC network settings example:

- IP address: 192.168.1.10;
- Subnet mask: 255.255.0.0.

There are 3 options to set up your camera:

1. Change IP address of a camera manually.  
Start your browser, connect to IP camera and enter your username and password. Choose appropriate menu item and change network settings of IP camera.
2. Set up camera IP address using fast configuration utility that can be downloaded from [www.trassir.com](http://www.trassir.com).
3. Change IP camera settings using TRASSIR professional software.

You can find detailed camera settings instructions in User Manual that can be downloaded from [trassir.com](http://trassir.com).