

## Specification

Model	TR-H2L1
Image sensor	1/2.9" CMOS 2MP
Resolution	FullHD (1920x1080)
Day/Night Mode	Electronic
Sensitivity	Color: 0.01Lux (F1.2) BW: 0Lux (IR on)
Lens (mm)	2.8 / 3.6
Mode	AHD / TVI / CVI: FullHD CVBS: 960H
Power supply	12V DC
Power consumption	300 mA
Dimensions (mm)	30 x 33 x 30
Net weight (g)	150
Working temperature	-10°C ... +50°C

## Camera Package

IP camera	1 pc
User manual	1 pc

## Technical support

www: [helpdesk.trassir.com](http://helpdesk.trassir.com)

mail: [helpdesk@trassir.com](mailto:helpdesk@trassir.com)

## TR-H2L1

2MP miniature multistandard video camera with fixed lens

**TRASSIR**



Data \_\_\_\_\_ Stamp \_\_\_\_\_

Here is the confirmation form for warranty assurance

Note: read user manual before using

Website: [www.trassir.com](http://www.trassir.com)

For any inquiry: [info@trassir.com](mailto:info@trassir.com)

## Introduction

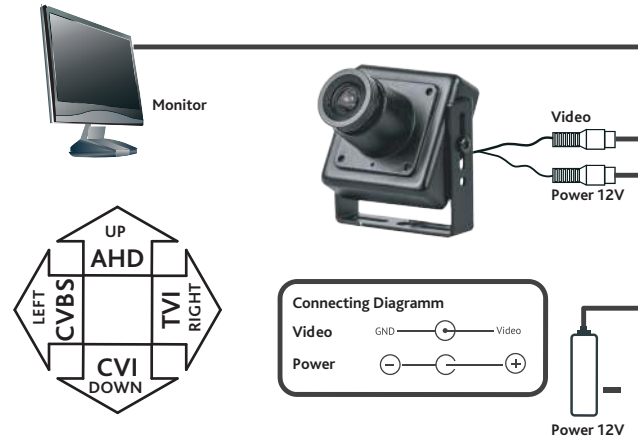
Congratulations with purchasing of multistandard camera TR-H2L1. Please read User Manual before using a camera.

## Key features

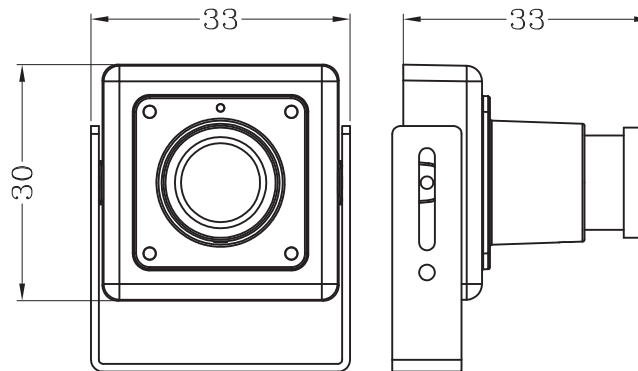
- Resolution 2MP
- Wide Dynamic Range (D-WDR)
- Mechanical IR cut filter
- Four mode: TVI / AHD / CVI / CVBS
- Power supply 12V DC

## Connecting

This camera has three working modes: TVI, AHD and CVI. It also supports CVBS analogue video standard with PAL 960H resolution. The camera use TVI standard by default. In order to switch the modes, hold OSD joystick for 5 sec in corresponding direction.



## Dimensions



## Notes

Power supply should meet the requirements: output voltage, current, polarities and working temperature. Pay attention that you have lightning conductor while using IP camera during a storm or plug off power connector.

Pay attention to temperature requirements of IP camera. Do not use the camera in extremely hot or cold temperatures (see the specifications for operating conditions).

Do not expose the camera to heaters.

Do not aim the camera at the sun or at the strong light. It causes damages to the camera.

## Problems and solutions

**There is no Image after power supply.**

- Wrong power supply voltage, check power supply and the correctness of connection.
- Check whether the cable is connected properly.

**The image has noise and ripples.**

- Can be caused by alternate current power supply. Install the stabilizer.
- Check your monitor and use peripheral equipment.

**Constant background color alteration on the image.**

- Can be caused by electromagnetic field of a fluorescent lamp. It is a specific property of the analogue video surveillance cameras.
- In order to improve the image, reduce the amount of fluorescent lamps and increase the distance between camera and fluorescent.