

Specification

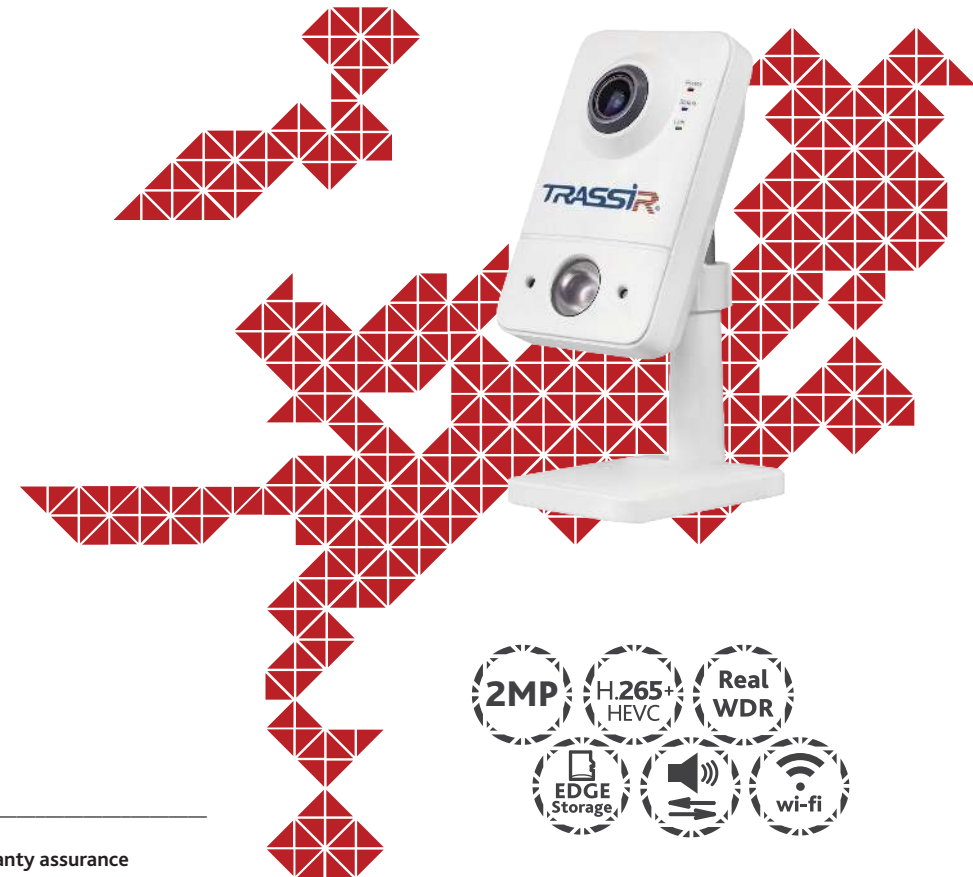
Model	TR-D7121R1W
Image sensor	1/2.7" CMOS 2MP
Resolution	FullHD(1920x1080)
Frame rate	50Hz: FullHD@25fps 60Hz: FullHD@30fps
Electronic shutter speed	1/2 ~ 1/1 000 s
Day/Night mode	Mechanical ICR
Sensitivity	0.005Lux (F1.8)
IR range	up to 10 m
Lens (mm)	2.8
Field of view (horiz./vert.)	100° / 54°
	Real WDR (120dB)
WDR	3D DNR
Digital Noise Reduction	H.265+ / H.265 / H.264+ / H.264
Video compression	up to 8Mbps
Bitrate	MicroSD up to 128GB
Local storage	Built-in microphone
Audio	Built-in speaker
Corridor mode	Yes
Motion detector	Digital
Wi-Fi	2.4 Ghz
IVS	Yes
Power	12V DC
Power consumption	2.4 W
Casing material	Plastic
Dimensions (mm)	60 x 32.8 x 99
Net/Gross weight (g)	85 / 280
Working temperature	-10°C ... +50°C

Technical support

www: helpdesk.trassir.com
mail: helpdesk@trassir.com

TR-D7121R1W

2MP Cube wireless camera



Data _____ Stamp _____

Here is the confirmation form for warranty assurance

Note: read user manual before using
Website: www.trassir.com
For any inquiry: info@trassir.com

Introduction

Congratulations on purchasing TR-D7121R1W IP camera.
Please read the User Manual before using the camera.

Key features

- Supports H.265 codec
- Wide Dynamic Range (Real WDR 120dB)
- IR range up to 10 m
- Built-in video archive (Edge Storage) - local recording to MicroSD card up to 128 GB*
- Built-in microphone and speaker
- Both Wi-Fi and Ethernet video transmission
- TCP/IP, HTTP, FTP, DHCP, DNS, DDNS, RTP, RTSP, RTCP, UPnP, SMTP, NTP, PPPoE, Onvif protocols
- IVS: Human detection, Line crossing, Intrusion detection
- 12V DC power supply

* MicroSD card is not included into camera package

Camera package

- | | |
|-----------------|-------|
| 1. IP camera | 1 pc. |
| 2. Screw Set | 1 pc. |
| 3. User Manual | 1 pc. |
| 4. Mounting Kit | 1 pc. |
| 5. Bracket | 1 pc. |

Attention!

The power supply should meet the following requirements: output voltage, current, polarity, and working temperature. When using the camera in thunderstorm conditions, make sure there is a lightning rod or unplug the power connector.
Pay attention to the temperature requirements for IP camera operation. Avoid using the device in excessively high or low temperatures.
Do not install the camera near heaters. Do not point the camera lens at the sun or at bright objects as this can damage the image sensor.

Quick start

1. Plug in power adaptor from a package. Camera will turn on in a minute.
2. Create your user account at cloud.trassir.com.
3. Download TRASSIR app for your smartphone from Google Play or AppStore.
4. Launch TRASSIR app and sign in to your account.
5. *Settings > Add camera > TRASSIR >* then follow the instructions in the application.

* IP cam's WiFi password: 12345678



AppStore

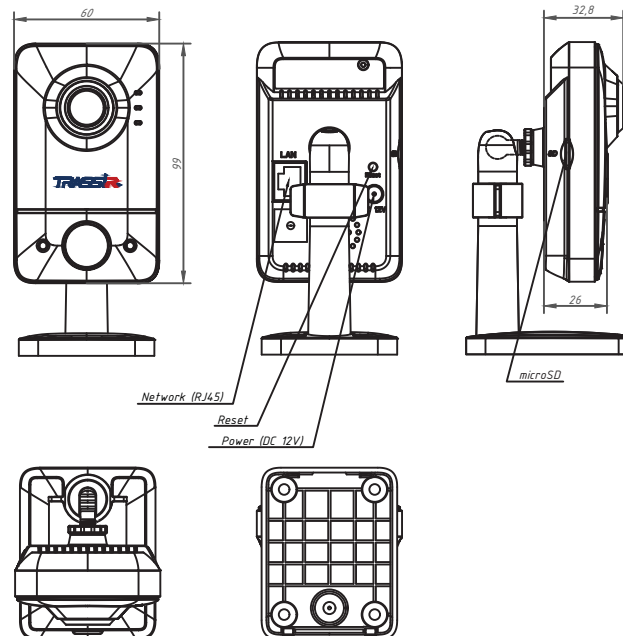


GooglePlay

Camera LEDs

POWER (red)	ON: camera is powered OFF: camera is not powered
STATUS (green)	Flashes quickly every 0.5 seconds: camera is ready for WiFi setup Flashes slowly every 1.5 seconds: camera is connecting to WiFi ON: camera is connected to WiFi
LINK (blue)	ON or flashes: LAN cable is connected OFF: LAN cable is not connected

Dimensions



Manual setting of network parameters

In order to connect to the IP camera, the PC should be in the same local network as the camera. The IP address of the camera, the PC and any other device on the network should not match.

The IP camera has the following default settings:

- IP address: 192.168.1.188
- Subnet mask: 255.255.0.0
- Gateway: 192.168.1.1
- HTTP-port: 80
- username: admin
- password: admin

PC network settings example:

- IP address: 192.168.1.10;
- Subnet mask: 255.255.0.0.

There are 3 options to set up your camera:

1. Change IP address of a camera manually.
Start your browser, connect to IP camera and enter your username and password. Choose appropriate menu item and change network settings of IP camera.
2. Set up camera IP address using fast configuration utility that can be downloaded from www.trassir.com.
3. Change IP camera settings using TRASSIR professional software.

You can find detailed camera settings instructions in User Manual that can be downloaded from trassir.com.