

Specification

| | |
|------------------------------|------------------------------------------------------------|
| Model | TR-D2221WDIR4 |
| Image sensor | 1/2.8" CMOS STARVIS 2MP |
| Resolution | FullHD(1920x1080) |
| Frame rate | 50Hz: FullHD@25fps 60Hz: FullHD@30fps |
| Electronic shutter speed | 1/2 ~ 1/1 000 s |
| Day/Night mode | Mechanical ICR |
| Sensitivity | 0.005Lux (F1.8) |
| IR range | up to 40 m |
| Lens (mm) | 1.9 / 2.8 / 3.6 |
| Field of view (horiz./vert.) | 1.9mm: 118° / 62° 2.8mm: 101° / 55° 3.6mm: 85° / 46° |
| Axes setting | Pan: 0° -360° Tilt: 0° -105° Rotation: 0° -360° |
| WDR | Real WDR (120dB) |
| Digital noise reduction | 3D DNR |
| Video compression | H.265+ / H.265 / H.264 |
| Bitrate | up to 8Mbps |
| Local storage | MicroSD up to 128GB |
| Audio | Built-in microphone 1 in / 1 out |
| Alarm In/Out | 1 / 1 |
| Corridor mode | Yes |
| IVS | Yes |
| Power supply | PoE (802.3af) / 12V DC |
| PoE Class | 0 |
| Power consumption | DC: 5W PoE: 5.8W |
| Case material | Metal |
| Dimensions (mm) | 184.67x66.50x63.05 |
| Weight Net/Gross (g) | 460 / 565 |
| Protection | IP67 |
| Power surge suppressor | TVS 4000V |
| Working temperature | -40°C ... +60°C |

Technical support

www: helpdesk.trassir.com
mail: helpdesk@trassir.com

TR-D2221WDIR4

Outdoor IR Mini Bullet Network Camera



Data _____ Stamp _____

Here is the confirmation form for warranty assurance

Note: read user manual before using
Website: www.trassir.com
For any inquiry: info@trassir.com

Introduction

Congratulations on purchasing TR-D2221WDIR4 IP camera. Please read the User Manual before using the camera.

Key features

- Supports H.265+ codec
- Wide Dynamic Range (Real WDR 120dB)
- IR range up to 40 m
- Built-in video archive (Edge Storage) – local recording on MicroSD card* up to 128GB*
- Two-way audio (1 in / 1 out, built-in microphone)
- Alarm: 1 in / 1 out
- IVS: Human detection; Line crossing; Intrusion detection; People counting; Loitering; Vehicle detection; Face detection
- TCP/IP, HTTP, FTP, DHCP, DNS, DDNS, RTP, RTSP, RTCP, PPPoE, UPnP, SMTP, NTP, Onvif protocols
- Power supply 12V DC or PoE

* MicroSD Card is not included into camera package

Camera package

- | | |
|-----------------------|-------|
| 1. IP camera | 1 pc. |
| 2. User Manual | 1 pc. |
| 3. Mounting kit | 1 pc. |

Attention!

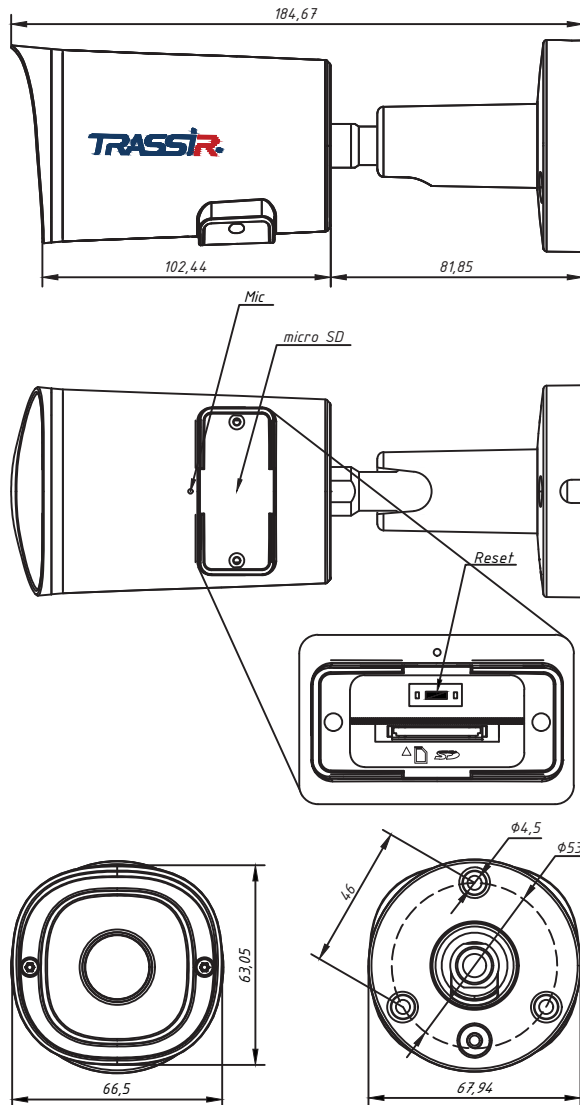
The power supply should meet the following requirements: output voltage, current, polarity, and working temperature. When using the camera in thunderstorm conditions, make sure there is a lightning rod or unplug the power connector. Pay attention to the temperature requirements for IP camera operation. Avoid using the device in excessively high or low temperatures. Do not install the camera near heaters. Do not point the camera lens at the sun or at bright objects as this can damage the image sensor.

Connecting

To get started with the IP camera, you are required to have a PC connected to the local network with Windows installed and Internet Explorer version 8 or higher.

1. Connect IP camera to the network.
2. When the camera is connected through a switch which doesn't support PoE, connect the adapter to the power jack.

Dimensions



Manual setting of network parameters

In order to connect to the IP camera, the PC should be in the same local network as the camera. The IP address of the camera, the PC and any other device on the network should not match.

The IP camera has the following default settings:

- IP address: 192.168.1.188
- Subnet mask: 255.255.0.0
- Gateway: 192.168.1.1
- HTTP-port: 80
- username: admin
- password: admin

PC network settings example:

- IP address: 192.168.1.10;
- Subnet mask: 255.255.0.0.

There are 3 options to set up your camera:

1. Change IP address of a camera manually. Start your browser, connect to IP camera and enter your username and password. Choose appropriate menu item and change network settings of IP camera.
2. Set up camera IP address using fast configuration utility that can be downloaded from www.trassir.com.
3. Change IP camera settings using TRASSIR professional software.

You can find detailed camera settings instructions in User Manual that can be downloaded from trassir.com.