

Specification

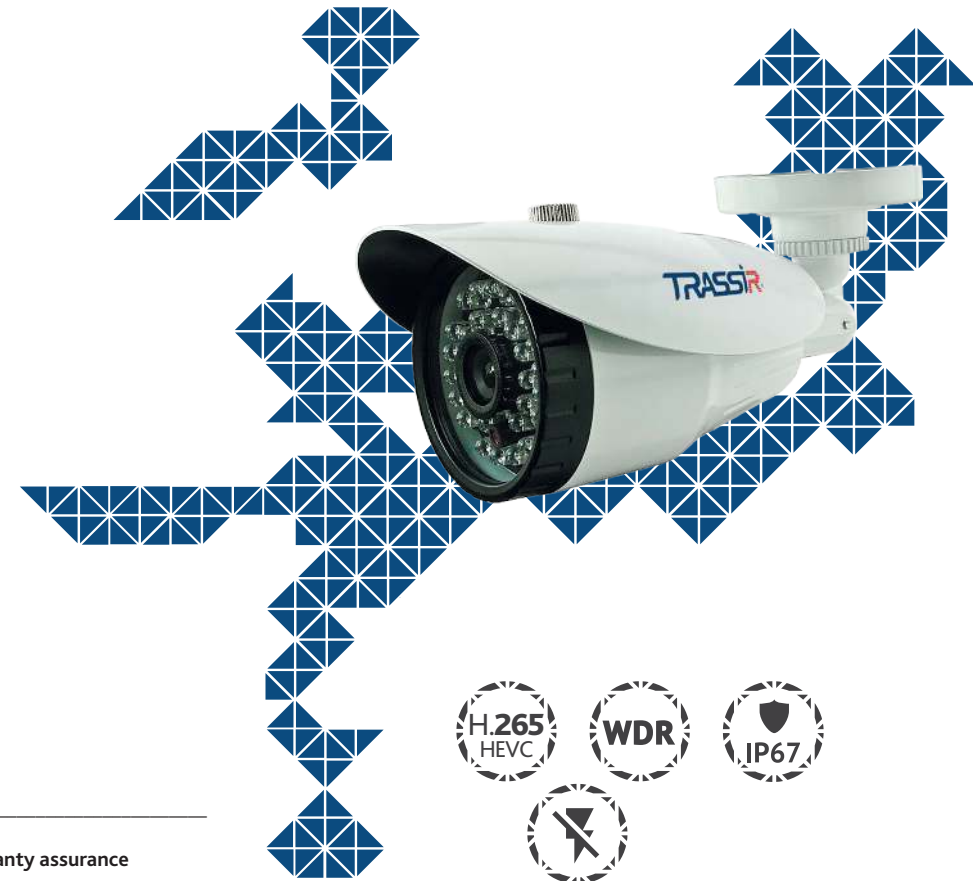
Model	TR-D2B5-noPoE
Image sensor	1/2.9" CMOS 2MP
Resolution	FullHD(1920x1080)
Frame rate	50Hz: FullHD@25fps 60Hz: FullHD@30fps
Electronic shutter speed	1/2 ~ 1/1 000 s
Day/Night Mode	Mechanical ICR
Sensitivity	0.005Lux (F1.8)
IR range	up to 30 m
Lens (mm)	3.6
Field of view(horiz./vert.)	81° / 44°
WDR	Real WDR(105dB)
Digital noise Reduction	3D DNR
Video compression	H.265+ / H.265 / H.264+ / H.264
Bitrate	up to 8Mbps
IVS	Yes
Corridor mode	Yes
Power supply	12V DC
Power consumption	3.3W
Case material	Metal
Dimensions (mm)	207.6 x 76.5 x 86
Weight Net/Gross (g)	350 / 530
Protection	IP67
Power surge supressor	TVS 4000V
Working temperature	-40°C ... +60°C

Technical support

[www: helpdesk.trassir.com](http://www.helpdesk.trassir.com)
[mail: helpdesk@trassir.com](mailto:helpdesk@trassir.com)

TR-D2B5-noPoE

Outdoor IR Network Camera



Data _____ Stamp _____

Here is the confirmation form for warranty assurance

Note: read user manual before using
Website: www.trassir.com
For any inquiry: info@trassir.com

Introduction

Congratulations on purchasing TR-D2B5-noPoE IP-camera.
Please read User Manual before using the camera.

Key features

- Supports H.265+
- Wide Dynamic Range (Real WDR 105dB)
- IR range up to 30 m
- IVS: Human detection, Line crossing, Intrusion detection
- TCP/IP, HTTP, FTP, DHCP, DNS, DDNS, RTP, RTSP, RTCP, PPPoE, UPnP, SMTP, Onvif protocols
- Power supply 12V DC

Camera package

- | | |
|-----------------------|-------|
| 1. IP camera | 1 pc. |
| 2. User Manual | 1 pc. |
| 3. Mounting kit | 1 pc. |

Attention!

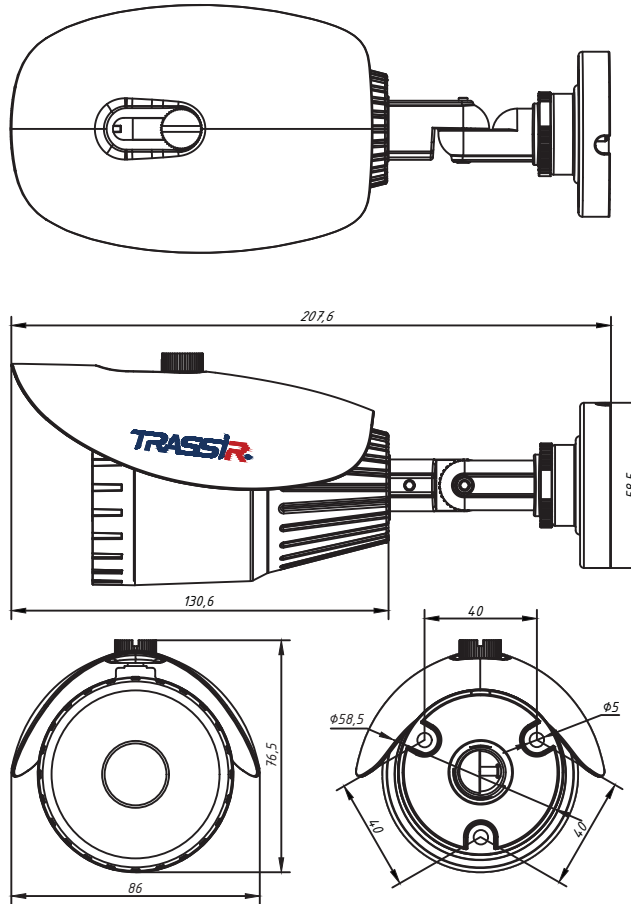
The power supply should meet the following requirements: output voltage, current, polarity, and working temperature. When using the camera in thunderstorm conditions, make sure there is a lightning rod or unplug the power connector.
Pay attention to the temperature requirements for IP camera operation. Avoid using the device in excessively high or low temperatures. Do not install the camera near heaters. Do not point the camera lens at the sun or at bright objects as this can damage the image sensor.

Connecting

To get started with TRASSIR IP camera you are required to have a PC connected to the local network with Windows installed and Internet Explorer version 8 or higher.

1. Connect IP camera to the network.
2. Connect the adapter to the power jack.

Dimensions



Manual setting of network parameters

In order to connect to the IP camera, the PC should be in the same local network as the camera. The IP address of the camera, the PC and any other device on the network should not match.

The IP camera has the following default settings:

- IP address: 192.168.1.188
- Subnet mask: 255.255.0.0
- Gateway: 192.168.1.1
- HTTP-port: 80
- username: admin
- password: admin

PC network settings example:

- IP address: 192.168.1.10;
- Subnet mask: 255.255.0.0.

There are 3 options to set up your camera:

1. Change IP address of a camera manually.
Start your browser, connect to IP camera and enter your username and password. Choose appropriate menu item and change network settings of IP camera.
2. Set up camera IP address using fast configuration utility that can be downloaded from www.trassir.com.
3. Change IP camera settings using TRASSIR professional software.

You can find detailed camera settings instructions in User Manual that can be downloaded from trassir.com.