

Specification

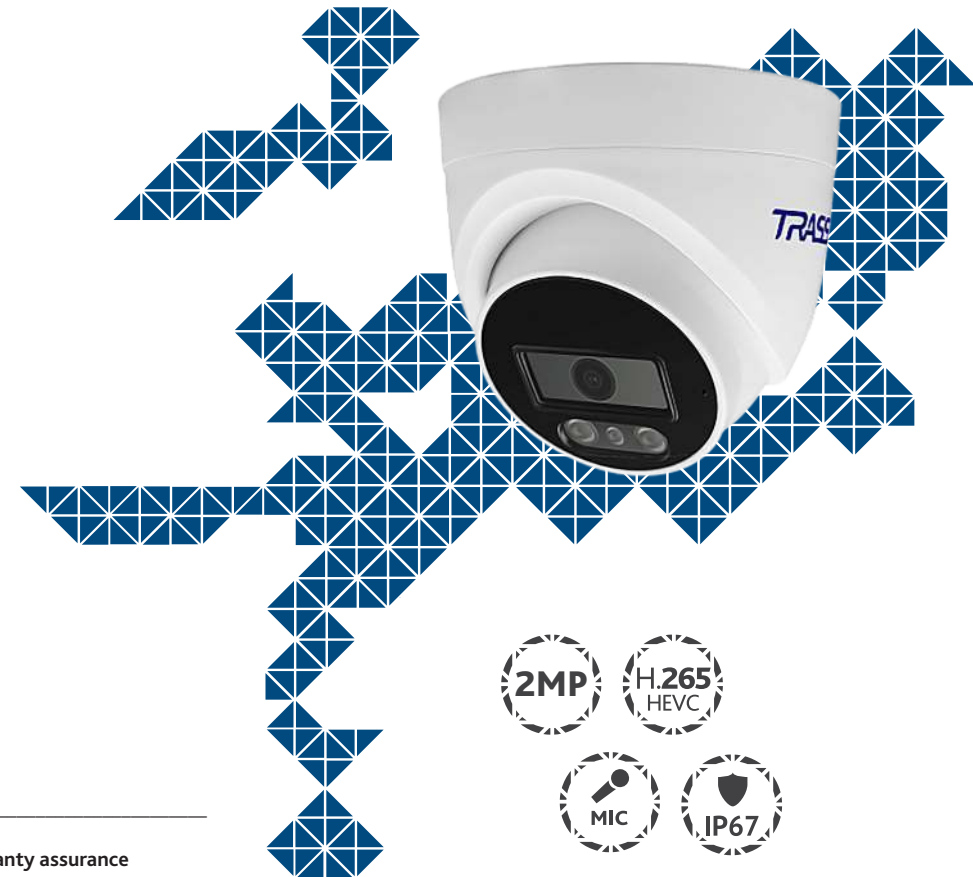
Model	TR-Lite L2S5
Image sensor	1/2.9" CMOS 2MP
Resolution	FullHD(1920x1080)
Frame rate	FullHD@25fps
Electronic shutter speed	1/2 ~ 1/1 000 s
Day/Night Mode	Mechanical ICR
Sensitivity	0.005Lux (F1.8)
IR range	up to 30 m
Stroboscope	Yes
Lens (mm)	2.8
Field of view(horiz./vert.)	98°±5° / 53°±5°
Axes setting	Pan: 0°-355° Tilt: 0°-75° Rotation: 0°-360°
WDR	D-WDR
Digital Noise Reduction	3D DNR
Video compression	H.265 / H.264 / MJPEG
Bitrate	Up to 8Mbps
Audio	Built-in microphone
Power supply	PoE (802.3af) / 12V DC
PoE Class	0
Power consumption	DC: 2.6W PoE: 3.5W
Case material	Metal / Plastic
Dimensions (mm)	Ø109.3 x 96.5
Weight Net/Gross (g)	320 / 420
Protection	IP67
Power surge suppressor	TVS 4000V
Working temperature	-30°C ... +60°C

Technical support

www: helpdesk.trassir.com
mail: helpdesk@trassir.com

TR-Lite L2S5

Outdoor IR Network Camera



Data _____ Stamp _____

Here is the confirmation form for warranty assurance

Note: read user manual before using
Website: www.trassir.com
For any inquiry: info@trassir.com

Introduction

Congratulations on purchasing TR-Lite L2S5 IP-camera.
Please read User Manual before using a camera.

Key features

- Wide Dynamic Range (D-WDR)
- IR range up to 30 m
- Built-in microphone
- TCP/IP, HTTP, FTP, DHCP, DNS, DDNS, RTP, RTSP, RTCP, PPPoE, UpnP, SMTP, ONVIF
- Power supply 12V DC or PoE

Camera package

1. IP camera 1 pc.
2. User Manual 1 pc.
3. Mounting kit 1 pc.

Attention!

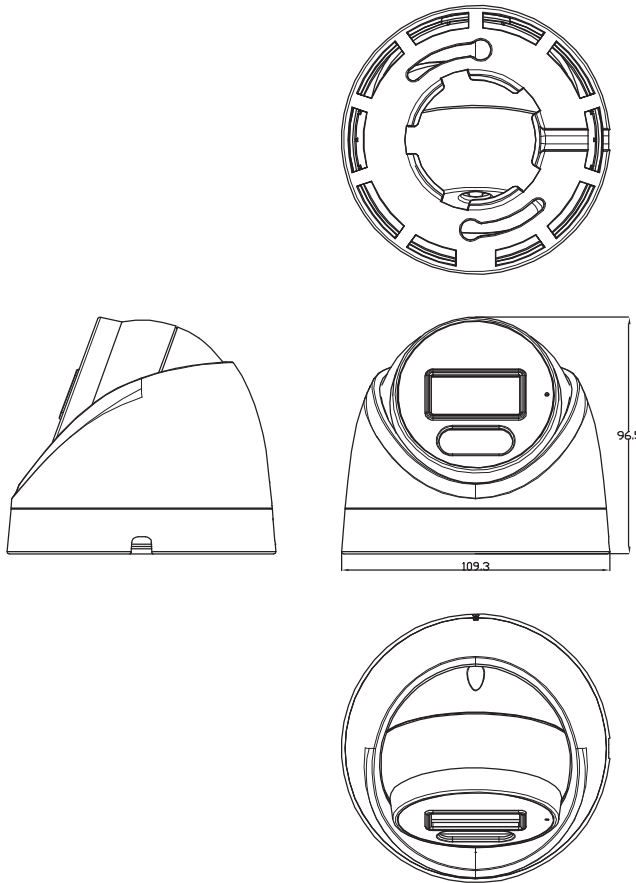
The power supply should meet the following requirements: output voltage, current, polarity, and working temperature. When using the camera in thunderstorm conditions, make sure there is a lightning rod or unplug the power connector.
Pay attention to the temperature requirements for IP camera operation. Avoid using the device in excessively high or low temperatures. Do not install the camera near heaters. Do not point the camera lens at the sun or at bright objects as this can damage the image sensor.

Connecting

To get started with IP camera you are required to have a PC connected to the local network with Windows installed and Internet Explorer version 8 or higher.

1. Connect IP camera to the network.
2. When the camera is connected through a switch which doesn't support PoE, connect the adapter to the power jack.

Dimensions



Manual setting of network parameters

In order to connect to the IP camera, the PC should be in the same local network as the camera. The IP address of the camera, the PC and any other device on the network should not match.

The IP camera has the following default settings:

- IP address: 192.168.1.188
- Subnet mask: 255.255.0.0
- Gateway: 192.168.1.1
- HTTP-port: 80
- username: admin
- password: admin

PC network settings example:

- IP address: 192.168.1.10;
- Subnet mask: 255.255.0.0.

There are 3 options to set up your camera:

1. Change IP address of a camera manually.
To do this, connect the camera to the TRASSIR TR-Lite series video recorder. Go to the corresponding menu item and change the IP-camera network settings.
2. Configure the camera IP address Quick Configuration Utility, which can be downloaded from www.trassir.com in the Software section.
3. You can change the IP camera settings using TRASSIR Cloud cloud service.

The product service life is 2 years.

For detailed instructions on camera configuration, please refer to the user manual, which can be downloaded from www.trassir.com in the Technical Documentation section.

Connect the camera to the TRASSIR Cloud service and watch video on your phone screen for free.